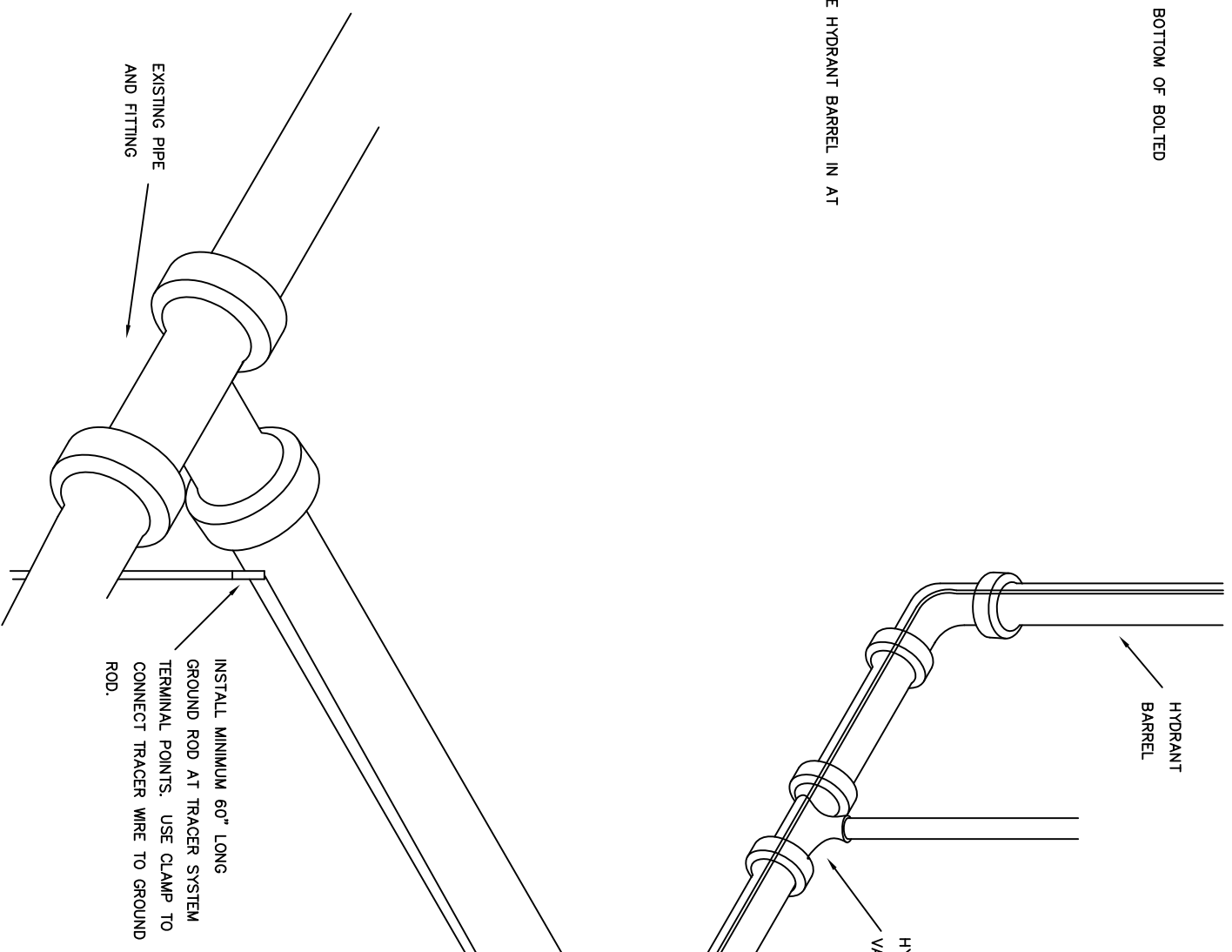
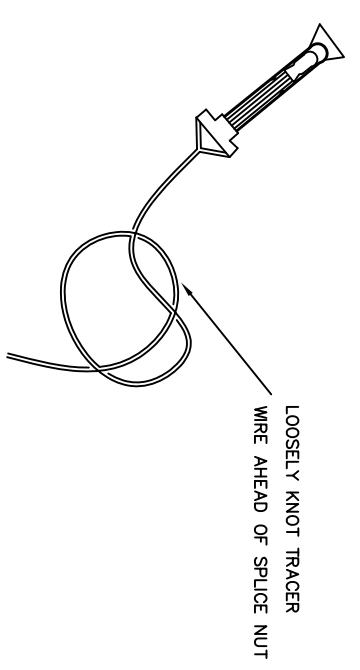


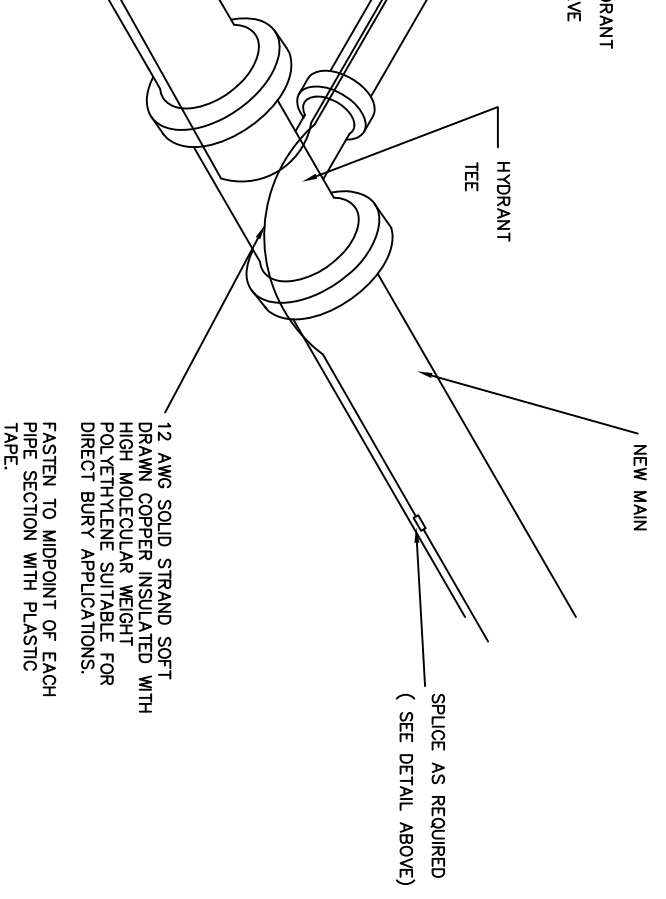
TRACER WIRE DETAIL AT FIRE HYDRANT  
NOT TO SCALE



EXISTING PIPE AND FITTING  
INSTALL MINIMUM 60" LONG GROUND ROD AT TRACER SYSTEM TERMINAL POINTS. USE CLAMP TO CONNECT TRACER WIRE TO GROUND ROD.



TRACER WIRE SPLICE DETAIL  
NOT TO SCALE



TRACER WIRE DETAIL  
NOT TO SCALE



TRACER WIRE DETAIL